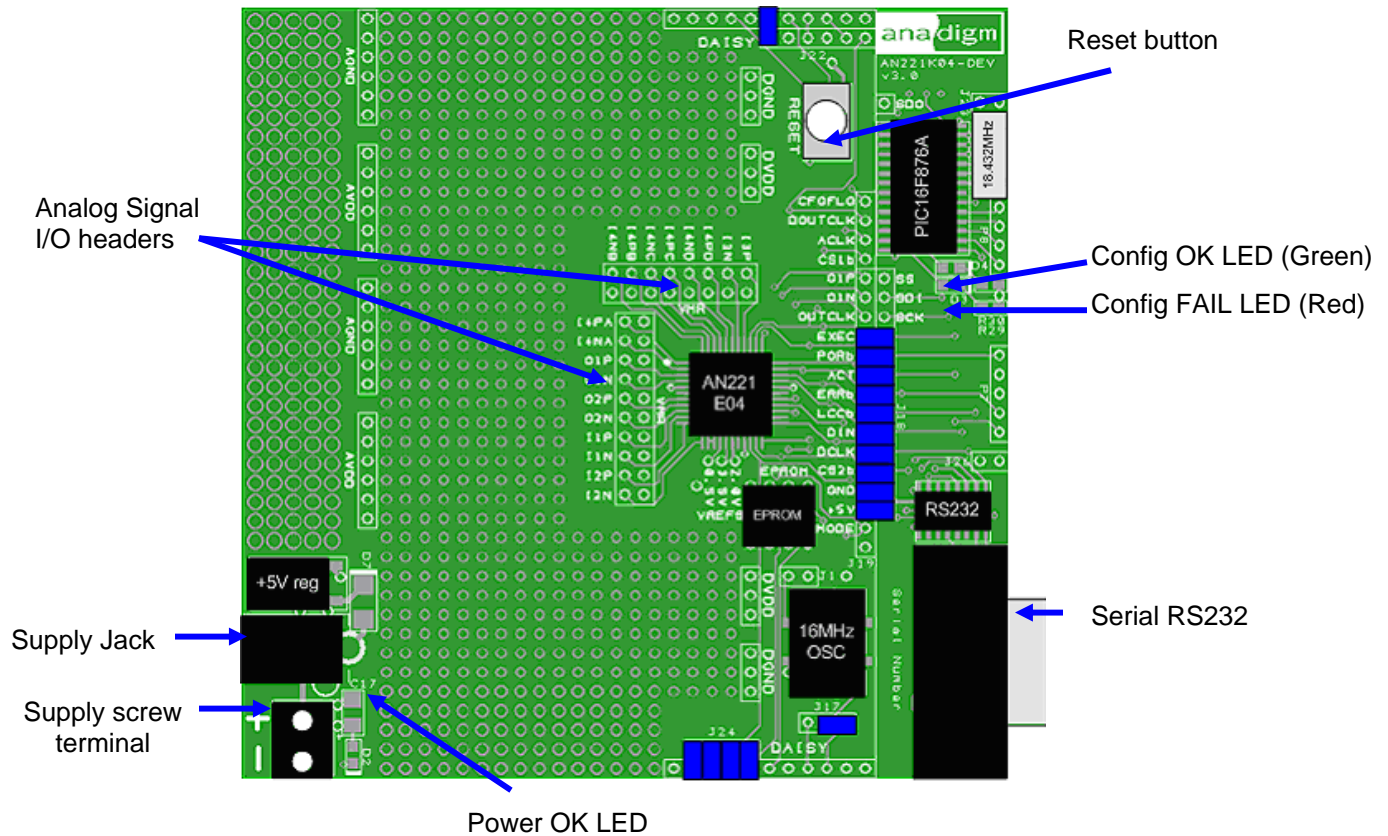


KEY FEATURE LOCATIONS ON THE ANADIGMVORTEX DEVELOPMENT BOARD



STEP 1: CHECK THE CONTENTS OF YOUR KIT

- AnadigmVortex Development Board AN221K04-DEV v3.0
- Serial Interface Cable (RS-232)
- AnadigmVortex Development Board Quick Start Guide (this document)
- A221K04E V3, AnadigmVortex Development Board User Manual
- AN221E04 dpASP (dynamically programmable Analog Signal Processor) User Manual
- Software/Documentation CD-ROM

STEP 2: SOFTWARE INSTALLATION

- If you do not already have Anadigmdesigner2 on you PC. Insert the software/documentation CD-ROM into your PC's CD-ROM drive. The software should automatically prompt you for installation. (Note: Anadigm's web site has the most up to date version of the software.)
- After you have installed the software, you will need to register your copy of the software with Anadigm® online at http://www.anadigm.com/sup_downloadcenter.asp?tab=ad2
- For registration you will need first to create a MyAnadigm account, then follow the web site instructions to license your software – (please use your real email address)
- Once you have registered online, a license ID and a license key will be e-mailed to you.
- Please enter these in the registration dialog box of the AnadigmDesigner@2 software.
- You are now ready to use the world's first dpASP/FPAAs design software!



AnadigmVortex

Development Board Quick Start Guide

STEP 3: CONNECT THE DEVELOPMENT BOARD

- Using the RS-232 serial interface cable, connect the development board to your PC's serial port.
- Connect a suitable power supply to the evaluation board. The board is designed to accept the following types of connectors and supply voltages:

1. Connect a regulated lab supply to the on-board 2-way screw terminal: negative post at 0volts, positive post between +4.5 V to +9 V

OR

2. Use an AC wall converter (regulated) and connect into the supply jack, +4.5 V minimum, +12 V maximum. The center pole of the supply jack is positive.

Anadigm recommends a +9v regulated supply be connected to the Jack socket.

Note: Do not use the 2-way screw terminal and the AC wall supply jack concurrently.

STEP 4: APPLY POWER

- When the board is powered up properly, the Power OK LED will illuminate green.

STEP 5: YOU ARE NOW READY TO USE YOUR AnadigmVortex DEVELOPMENT BOARD

- Configure the FPAA from AnadigmDesigner@2 with a suitable circuit.
- Analog signal connections are available at the Analog Signal I/O Headers.
- Refer to your AN221K04 v3 AnadigmVortex Development Board User Manual.

This document is for use in conjunction with Anadigm® software which is subject to the terms of an Anadigm® software license. This document does not form part of any contract or specification between Anadigm® and the user and is for guidance and illustration only. Accordingly, we accept no liability arising out of the use of the document in conjunction with the software to the extent permitted by law.



For more information logon to:

www.anadigm.com
or e-mail
support@anadigm.com